

HYDROMATIC®

SW/SD/VS33

Submersible Sump/Effluent Pump

- Basement Sumps
- Septic Tank Effluent
- Industrial Circulators
- Transfer Tanks



SD33 Shown

SW/SD/VS33 - Submersible Sump/Effluent Pump

SW/SD/VS33 SUMP/EFFLUENT CLASSIC PUMP SERIES



SW33



SD33



VS33

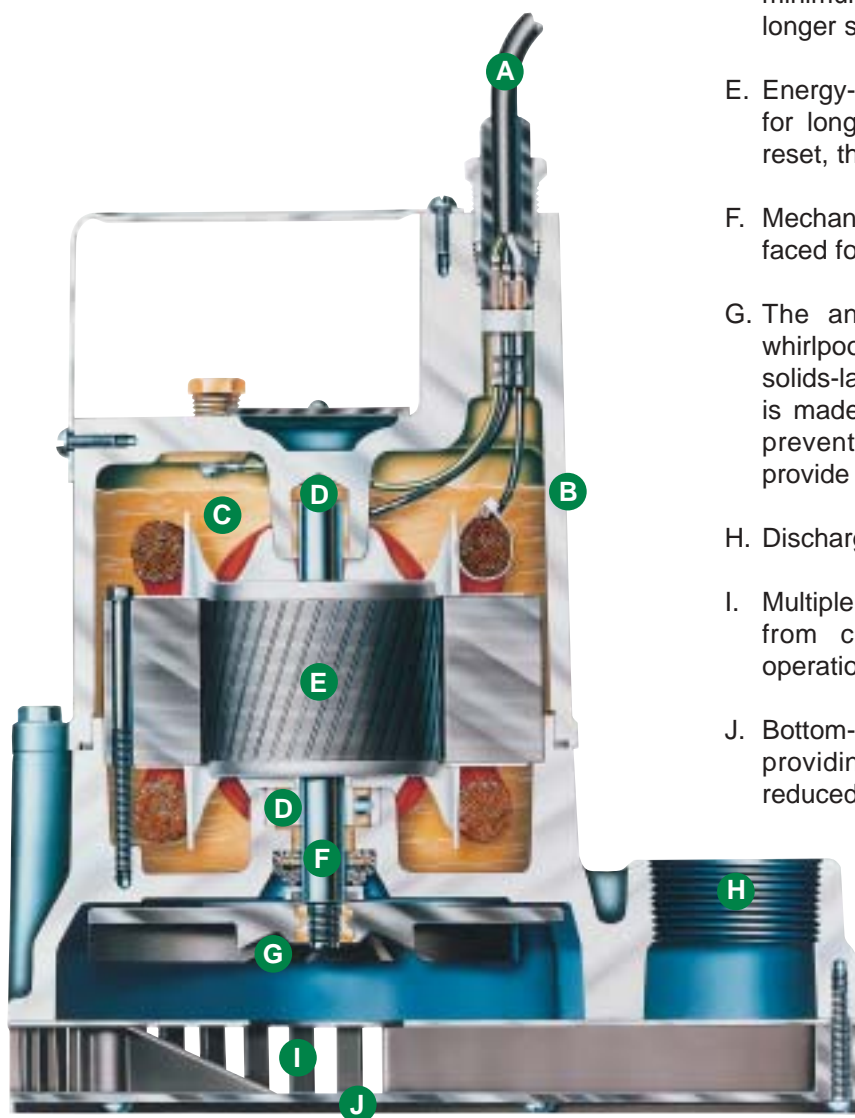
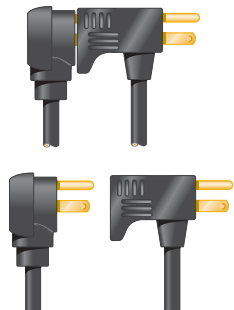
The Hydromatic classic submersible pump series is specifically designed to meet the demands of residential sump and septic tank effluent applications. The 1-1/2 inch NPT discharge pump is a 1/3 horsepower, energy-efficient motor, in both automatic and manual configurations; and can handle capacities up to 47 gallons per minute and heads to 26 feet.

This Hydromatic submersible pump features a heavy-duty cast iron construction that provides the durability for a long service life, as well as assisting in dissipating heat from the motor, for cooler operation. The pump's anti-clog, vortex-design impeller is made from a tough non-corrosive, thermoplastic material, which is capable of providing long, trouble-free service even in demanding applications.

The oil-filled motor provides superior cooling characteristics, allowing the motor to run cool and quiet in extended service. This oil-filled design also provides permanent lubrication of the shaft bearings, minimizing maintenance and extending the service life of the pump. In addition, to protect against overheating, the motor windings contain an automatic reset thermal overload.

Automatic models feature an easily adjustable, wide-angle float, diaphragm pressure switch, or a vertical mechanical float switch, all three switch configurations incorporating a unique "piggyback" plug arrangement. This piggyback design allows for simple conversion to manual operation by simply removing the switch plug and inserting the motor plug directly into the electrical outlet. This feature provides an easy way of periodically cycling the pump to ensure it is operating properly.

Piggyback Switch Plug



- A. Water-resistant power cord with molded plug is available in 10 or 20 foot lengths.
- B. Heavy-duty, cast iron construction provides long life and assists in heat dissipation for cooler motor operation.
- C. Oil-filled motor provides superior cooling and permanent lubrication of bearings, minimizing maintenance and extending service life.
- D. Lower ball and upper bronze-sleeve bearings support motor shaft, minimizing the effects of impeller thrust loads. This design results in minimum friction and perfect alignment of rotor, for longer service from pump.
- E. Energy-efficient 1/3 HP motor runs cool and quiet for long life. Motor windings contain automatic-reset, thermal overload protection.
- F. Mechanical shaft seal is carbon and ceramic faced for long, leakproof life.
- G. The anti-clog, vortex-design impeller creates whirlpool pumping action to effectively remove solids-laden wastewater from sump. The impeller is made from a tough, thermoplastic material to prevent corrosion, withstand abrasion and provide long, trouble-free life.
- H. Discharge is 1-1/2 inch NPT.
- I. Multiple strainer inlets prevent foreign objects from clogging pump — providing optimum operation and reduced maintenance.
- J. Bottom-suction design alleviates buildup of debris providing optimum pump performance and reduced maintenance.

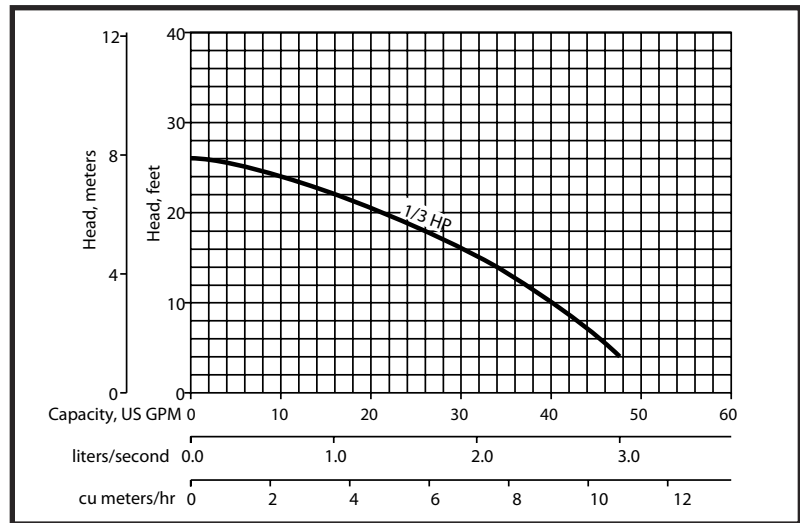
SW/SD/VS33 - Submersible Sump/Effluent Pump

Details

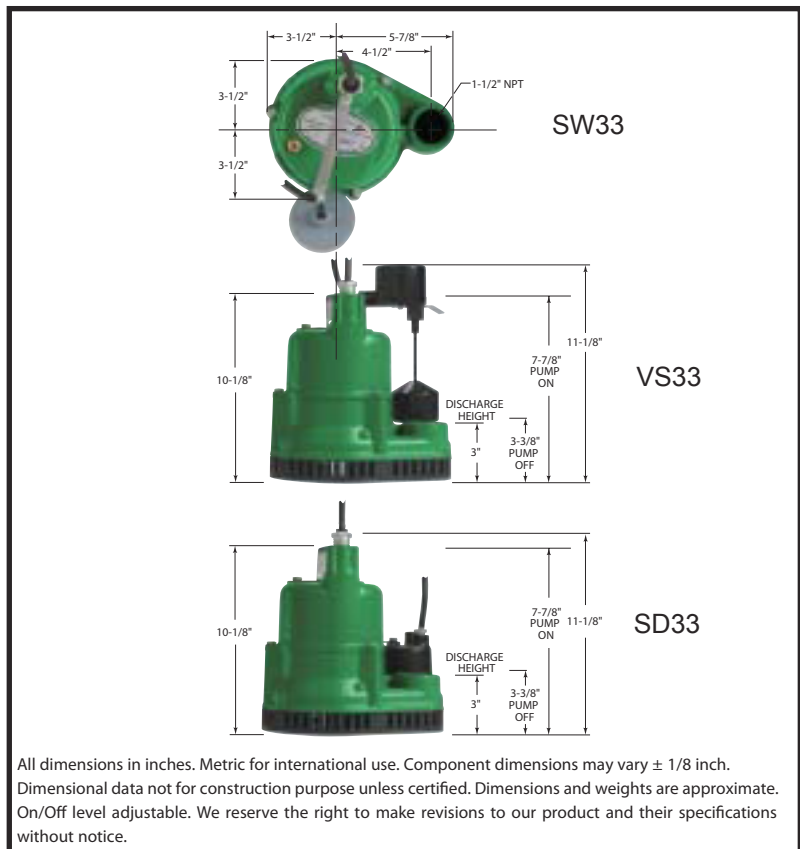
Pump Characteristics

Pump/Motor Unit	Submersible
Automatic Models	SW/SD/VS33A1
Horsepower	1/3
Full Load Amps	10.0
Motor Type	Shaded Pole (4 pole)
R.P.M.	1550
Phase Ø	1
Voltage	115
Hertz	60
Operation	Intermittent
Temperature	120° F Ambient
NEMA Design	A
Insulation	Class A
Discharge Size	1-1/2" NPT
Solids Handling	1/2"
Unit Weight	30 lbs.
Power Cord	18/3, SJTW, 10' std. (20' optional)

Performance Data



Dimensional Data



Materials of Construction

Handle	Steel
Lubricating Oil	Dielectric Oil
Motor Housing	Cast Iron
Shaft	Steel
Mechanical Shaft Seal	Seal Faces: Carbon/Ceramic Seal Body: Anodized Steel Spring: Stainless Steel Bellows: Buna-N
Impeller	Thermoplastic
Upper Bearing	Brass Iron Sleeve
Lower Bearing	Single Row Ball Bearing
Strainer/Base	Plastic
Fasteners	Stainless Steel



USA
1840 Boney Road Ashland, Ohio 44805
Tel: 419-289-3042 Fax: 419-281-4087

www.hydromatic.com

- Your Authorized Local Distributor -

CANADA
269 Trillium Drive Kitchener, Ontario, Canada N2G 4W5
Tel: 519-896-2163 Fax: 519-896-6337